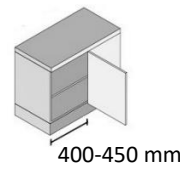
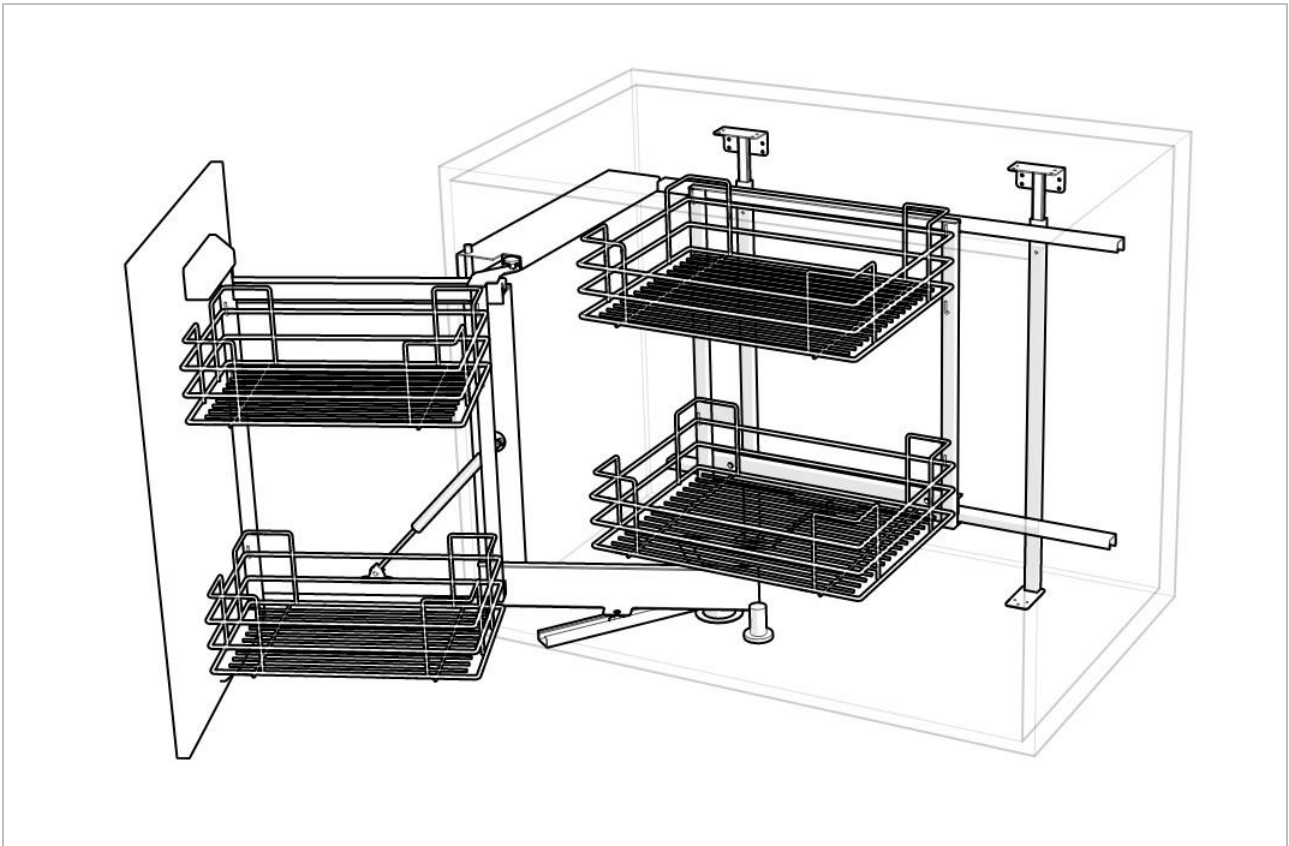
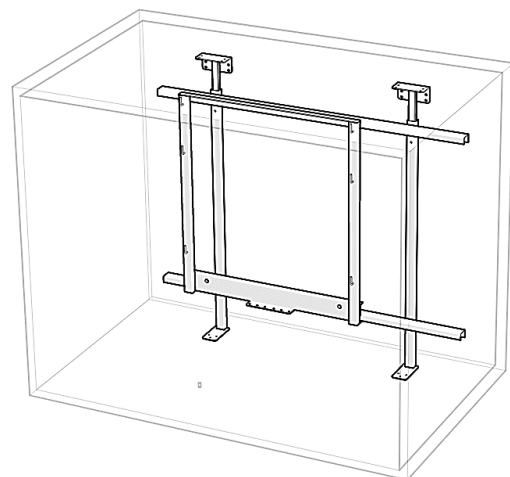
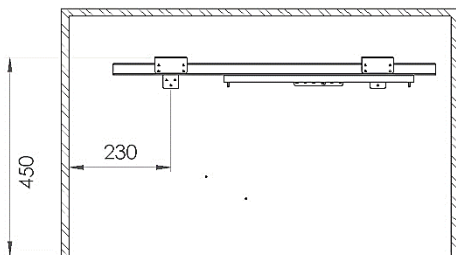


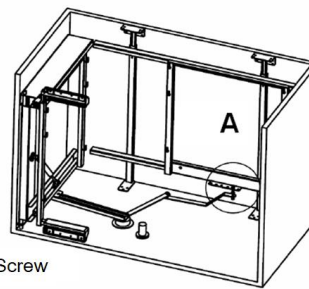
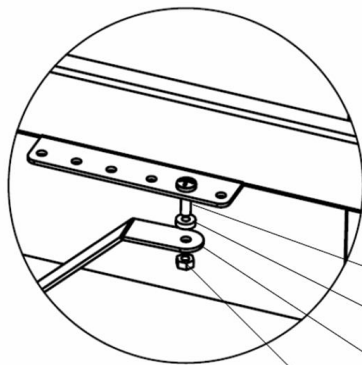
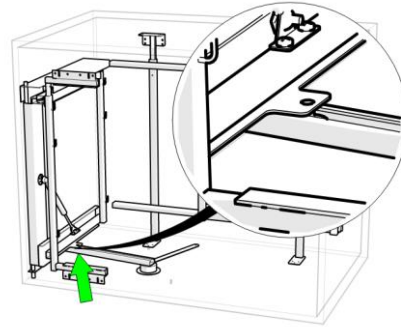
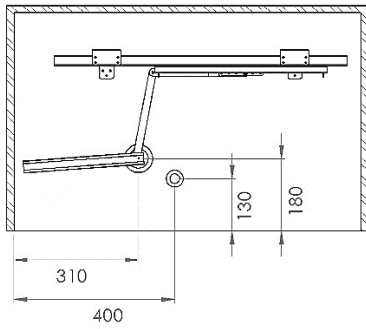
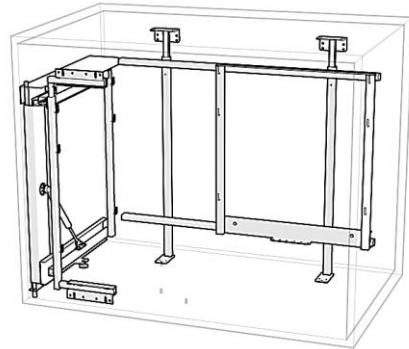
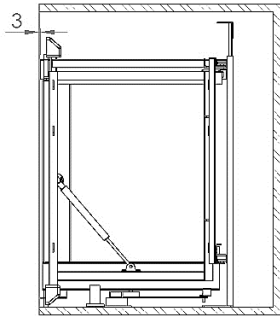
Assembly Instructions

845 S/A



30 kg
(7.5kg x 4)





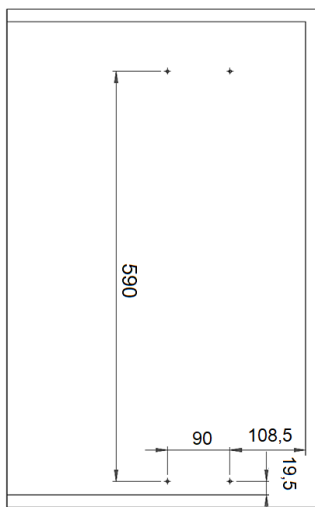
Detail A

Dado | Nut

Vite | Screw

Rotella in plastica | Plastic wheel

Barra di collegamento | Sheet bracket



Posizione frontalini | Door brackets position

