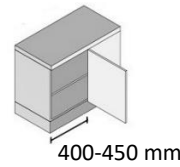
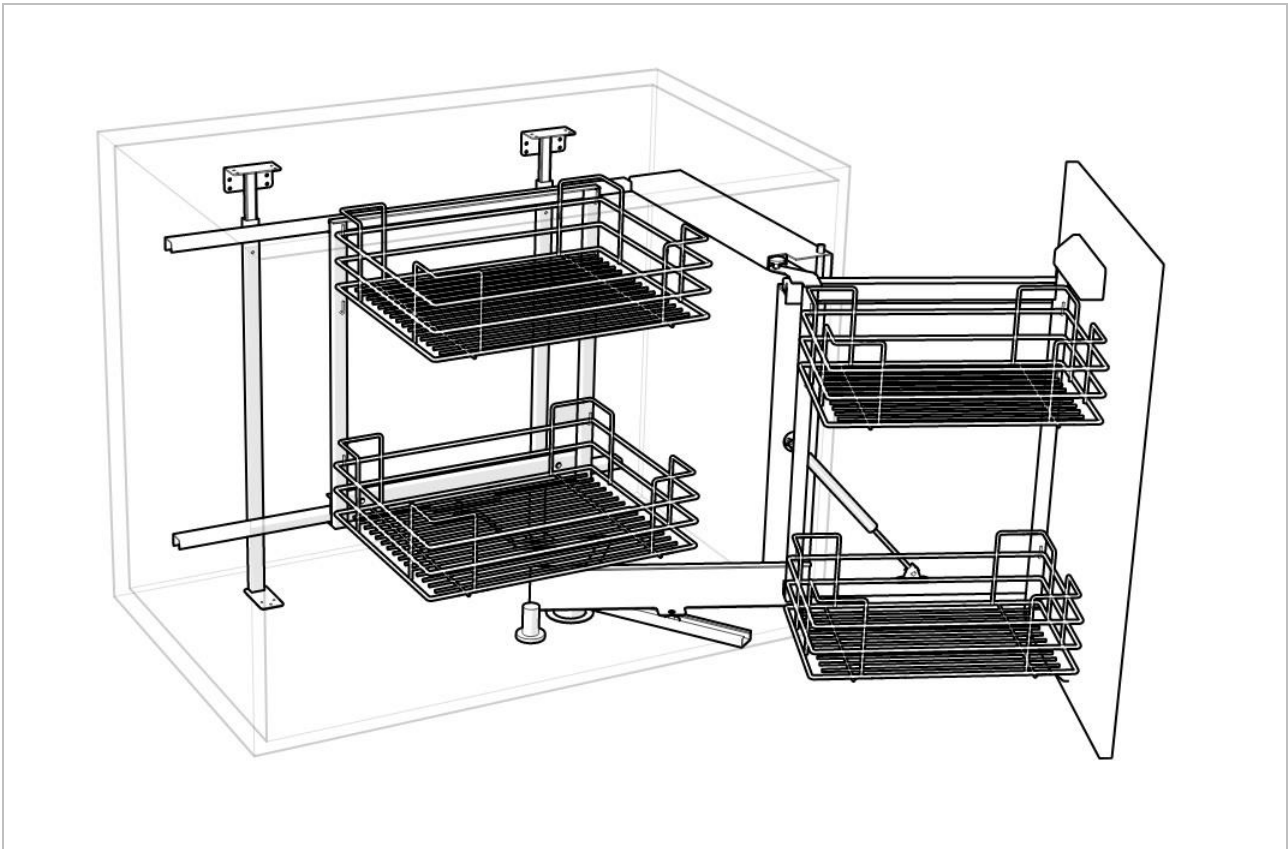
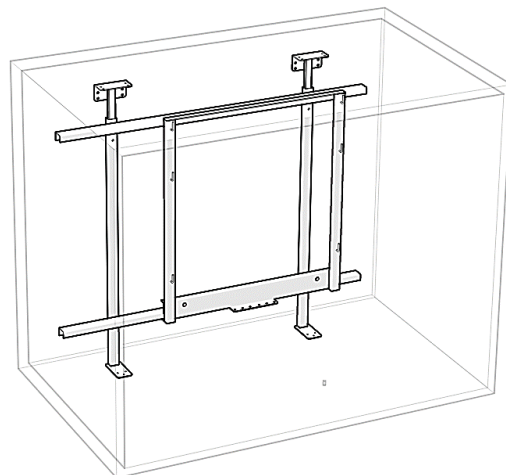
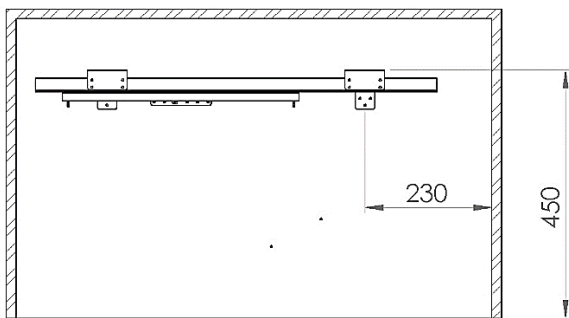


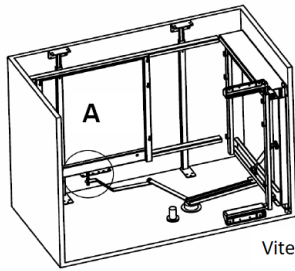
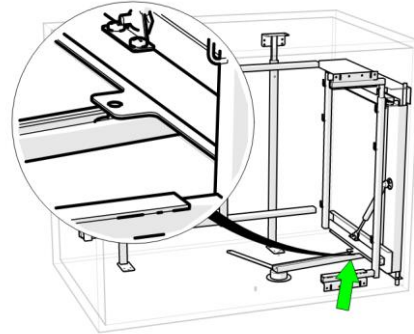
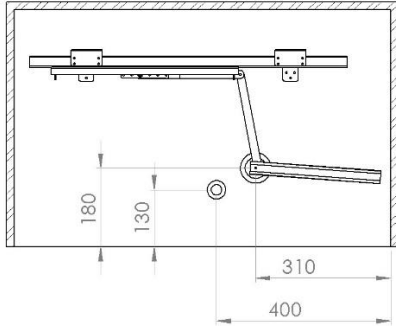
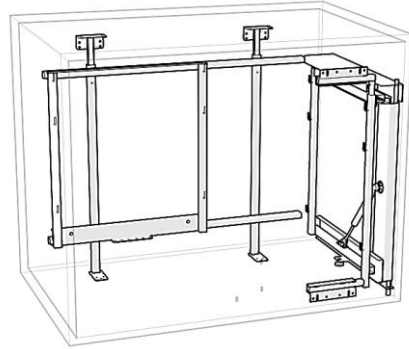
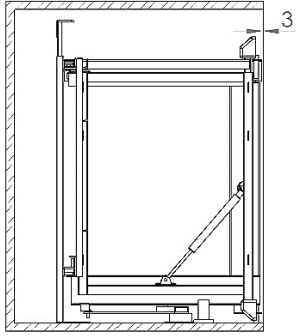
Assembly Instructions

845 D/A



  
30 kg  
(7.5kg x 4)





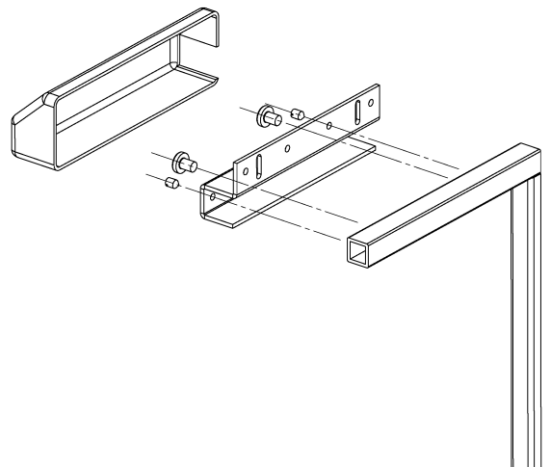
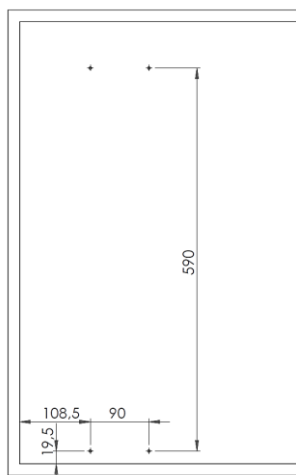
Vite | Screw

Rondella in plastica |  
Plastic wheel

Barra di collegamento |  
Sheet bracket

Dado | Nut

Detail A



Posizione frontalini | Door brackets position